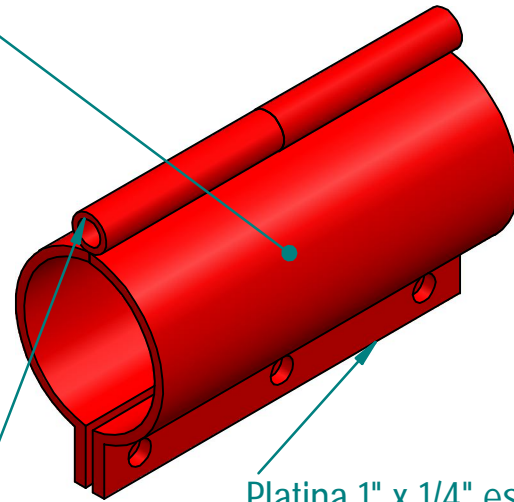
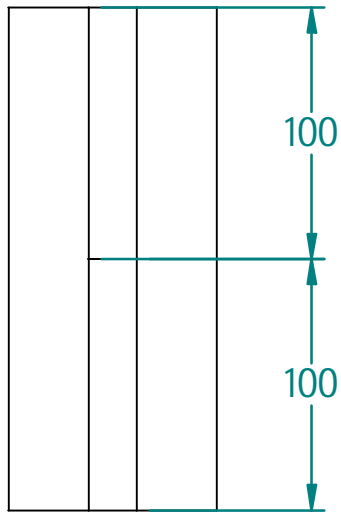
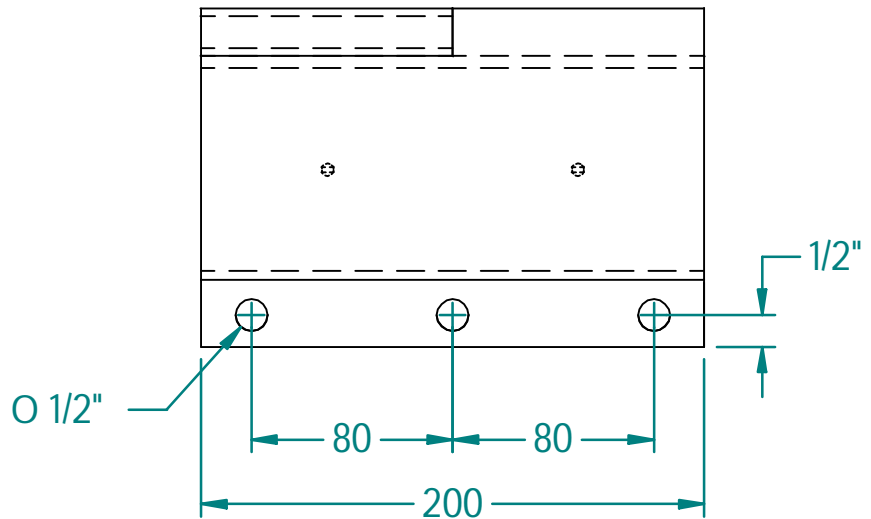
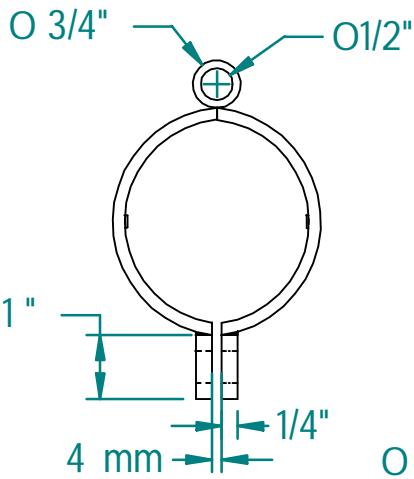



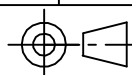
Tubo HTW (En cascos)



Platina 1" x 1/4" espesor

Buje O externo 3/4"  
O interno 1/2"



	NAME	DATE	PROPRIETARY AND CONFIDENTIAL		 KLUANE DRILLING LTD.
DRAWN			THE INFORMATION CONTAINED IN THIS DRAWING IS THE SOLE PROPERTY OF KLUANE DRILLING LTD. ANY REPRODUCTION IN PART OR AS A WHOLE WITHOUT THE WRITTEN PERMISSION OF KLUANE DRILLING LTD IS PROHIBITED.		
CHECKED					
APPROVED					
THIRD ANGLE PROJECTION			TITLE <b>ABRAZADERA TOPES TORNILLOS SUJECION MACIZO</b>		
UNLESS OTHERWISE SPECIFIED ALL DIMENSIONS ARE IN MILLIMETERS DO NOT SCALE DRAWING. DRAWING INTERPRETATION PER ASME Y14.5-2009. SURFACE TEXTURE SYMBOLS PER ASME Y14.36M.			SIZE A3	DWG No	REV 01
SCALE		WEIGHT		SHEET	